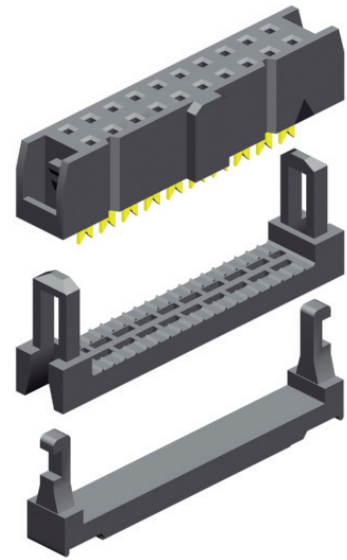
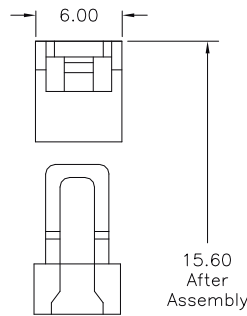
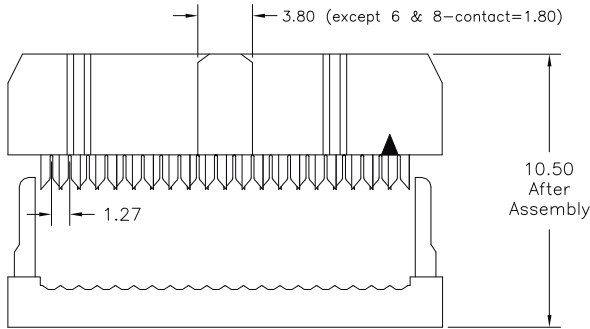
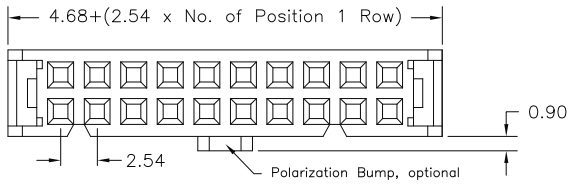


2.54mm pitch

IDC – Female Connector



**SPECIFICATIONS**

Current rating	1 A	Operating temperature	- 40°C to +105°C
Insulator resistance	1000 MΩ min.	Contact material (RoHS compliant)	Brass
Contact resistance	30 mΩ max.	Plating	Nickel; Gold on mating area
Withstanding voltage	500 V AC	Insulator material (RoHS compliant)	P.B.T. black UL 94 V-0 (grey colour on request)

**APPLICATION AND FEATURES**

Designed to mate with 0.64mm square pins box (shrouded) header

High Quality contacts

Accepts 1.27mm pitch flat ribbon cable AWG 28 (0.20mm) or AWG 30 (0.17mm).

How to order

IDS - xxx - X 100 - N5 ( / P )

Nbr of contacts
006; 008; 010; 012
014; 016; 018; 020
024; 026; 030; 034
036; 040; 050; 060
064

Strain relief
<b>S</b> = With
<b>W</b> = Without

Option
<b>P</b>
if Polarization bump is requested