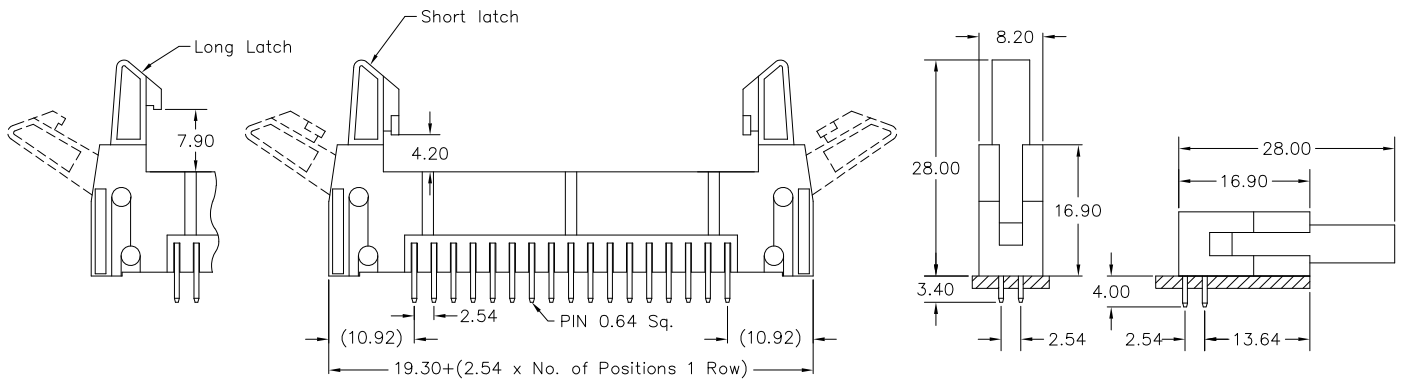
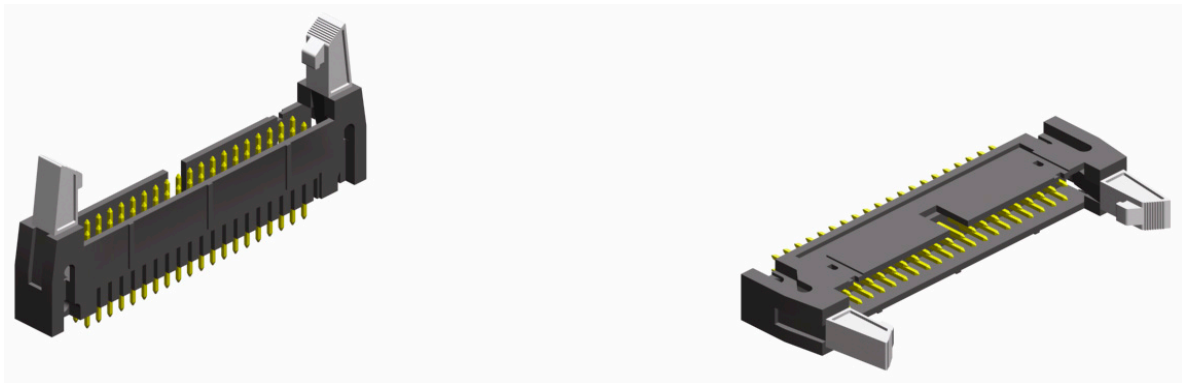


2.54mm pitch

DIN Header (DIN 41651)



APPLICATION AND FEATURES

Provides fast connection / disconnection of IDC connectors.

Assures reliable flat cable to PC - board assembly.

Optional latching features available.

SPECIFICATIONS

Current rating	3 A	Operating temperature	- 40°C to +105°C
Insulator resistance	1000 MΩ min.	Contact material <i>(RoHS compliant)</i>	Brass
Withstanding voltage	500 V AC	Insulator material <i>(RoHS compliant)</i>	P.B.T. UL 94 V-0 black colour

How to order

DH X - xxx - X 100 - 55

